

2-1/2" WOODGRIP SCREW ATTACHED
EVERY OTHER HIGH RIB (14" OC)

PERMATILE 26g METAL PANEL

STANDARD 5 BREAK RIDGE

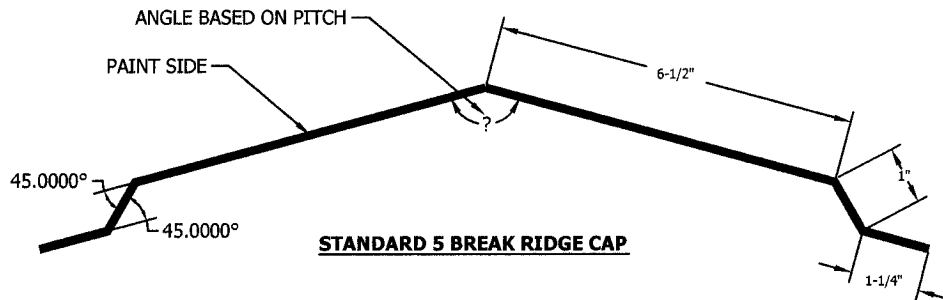
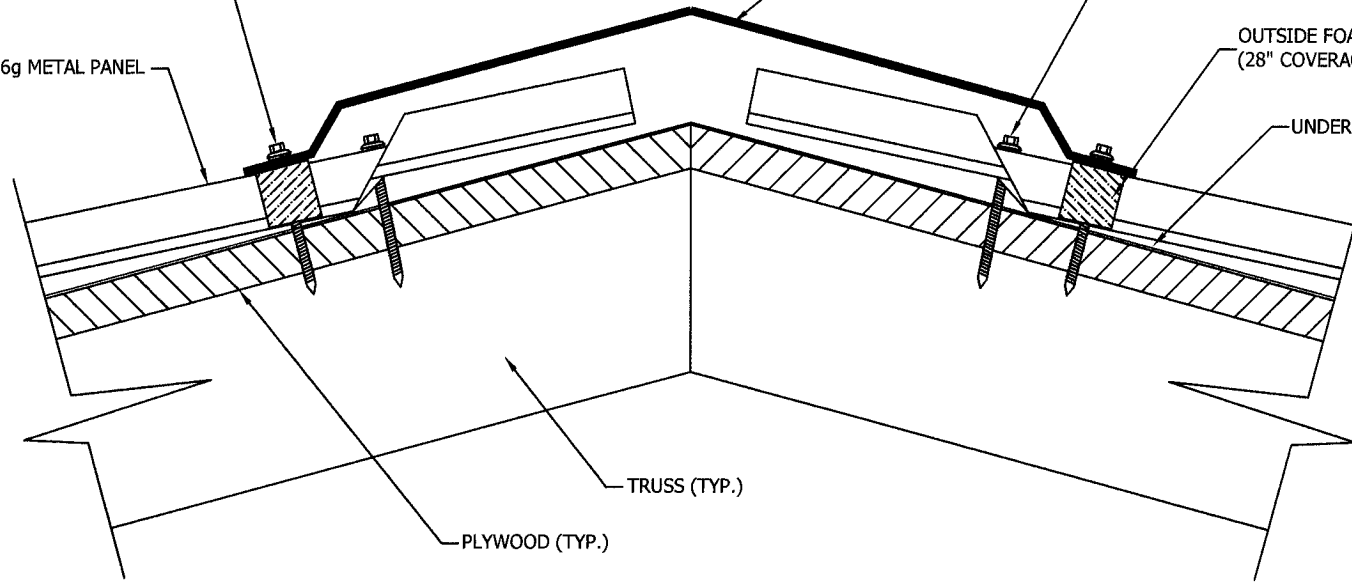
2-1/2" #10 WOODGRIP SCREW
(ATTACH PER SCREW PATTERN)

OUTSIDE FOAM CLOSURE
(28" COVERAGE)

UNDERLAYMENT MINIMUM 30#

TRUSS (TYP.)

PLYWOOD (TYP.)



THIS PAGE CONTAINS GENERAL APPLICATION DETAILS -
ACTUAL INSTALLATION MAY REQUIRE ADDITIONAL ITEMS
BASED ON GOOD ROOFING PRACTICES.

PERMATILE ROOFING

A Division of Advanced Aluminum

DESCRIPTION: 5 BREAK RIDGE CAP DETAIL

STYLE: FOR USE ON PLYWOOD DECKING

FILE: PT5BRKRIDGE-01